

Venturi Loaders

Venturi loaders use fast flowing pressurised air to create a vacuum that is used to convey various plastic granules. Air pressure is around 5-6 kgf/cm³.

Features:

- Euro style, compact in size and lightweight.
- Stainless steel material hopper and base ensure no contamination of materials.
- Filtered exhaust air does not pollute environment.
- Silent operation uses high-pressure air to convey materials.
- Capacitive sensor mounted onto glass-tube for accurate level sensing of material.
- Compressed air filter and regulator to eliminate moisture and maintain steady air pressure.
- Quick installation and easy operation with polished surface.
- Easy access to material hopper for convenience when cleaning.
- Adjustable direction of hopper and base.
- Built under license agreement from Autoload Inc, USA.

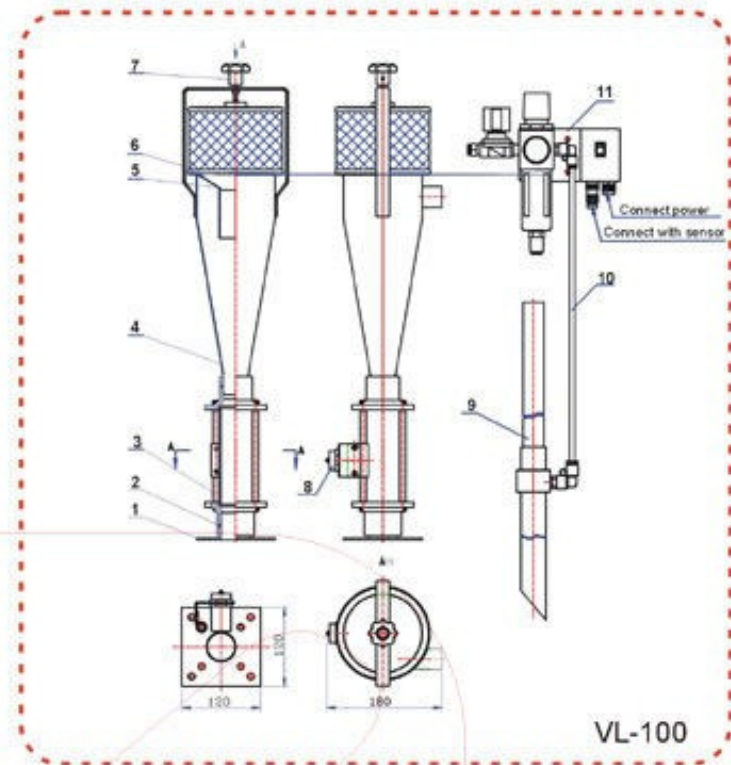
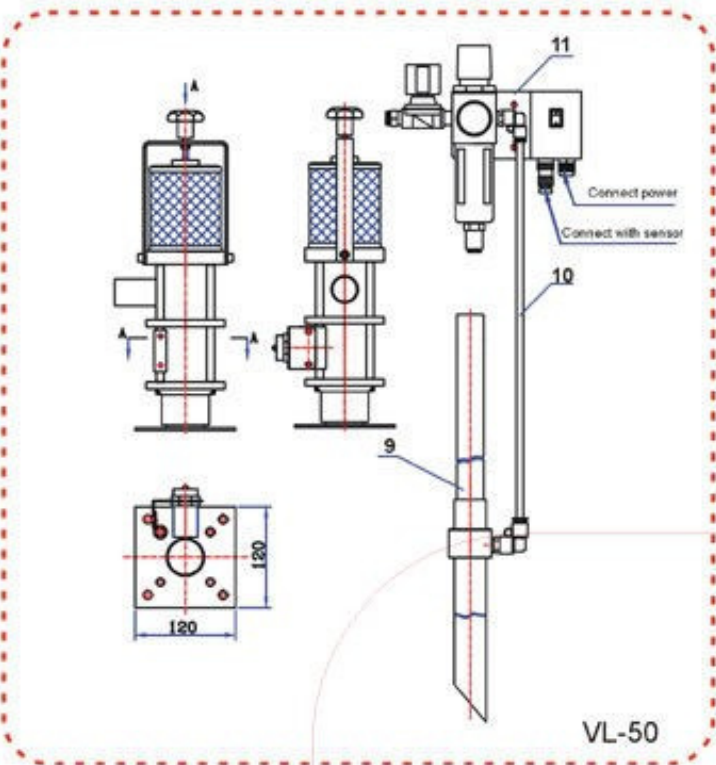


VL-100



VL-50

Drawing



- 1. Base
- 2. O-ring
- 3. Flange connecting pole
- 4. Hopper
- 5. Material baffle
- 6. Air filter
- 7. Fixing knob
- 8. Sensor
- 9. Conveying pipe
- 10. Air pipe
- 11. Compressed-air filter & regulator

Applications

Venturi loaders use fast flowing pressurised air to create a vacuum that is used to convey various plastic granules. Air pressure is around 5-6 kgf/cm³.



Specifications

Model	Conveying capacity (kg/hr)	Material hopper (L)	Max. conveying distance (m)	Conveying hose (mm)	Length of suction pipe (mm)	Dimensions (mm) (H×W×D)	Weight (kg)
VL-50	30	0.5	6	Φ 32	900	380×145×150	4.5
VL-100	180	2.8	6	Φ 32	900	730×180×160	7

Note: Power supply: 1 Φ, 115/230V, 50/60Hz.

We reserve the right to change specifications without prior notice.



**MAQUINARIA
PARA SOPLADO,
INYECCIÓN
Y EXTRUSIÓN
DE TERMOPLÁSTICOS**

www.siepla.es