

"Euro" Proportional Valves

Siepla newly developed Euro proportional valves mix regrind and new materials in a proper proportion back to the process machine to achieve a proportional mixing and loading effect. They feature directly mounted on loaders or mounted by the process machine and pipeline. Besides, it is applicable to Euro loaders to control their setting time and equipped with control box to perform when in other situations.

Features:

- "Euro" design, beautiful profile, easy for installation and operation.
- Special design for valve body, material conveying becomes more smoothly.
- The performance of solenoid valve is so stable that the air cylinder acts accurately to ensure a proportional mixing of new and regrind materials.
- There is no need of ordering control box when working with SAL-U series loaders.
- Instant recycling the regrind materials to reduce the production cost.
- Control box is available for option when performing in other situations.

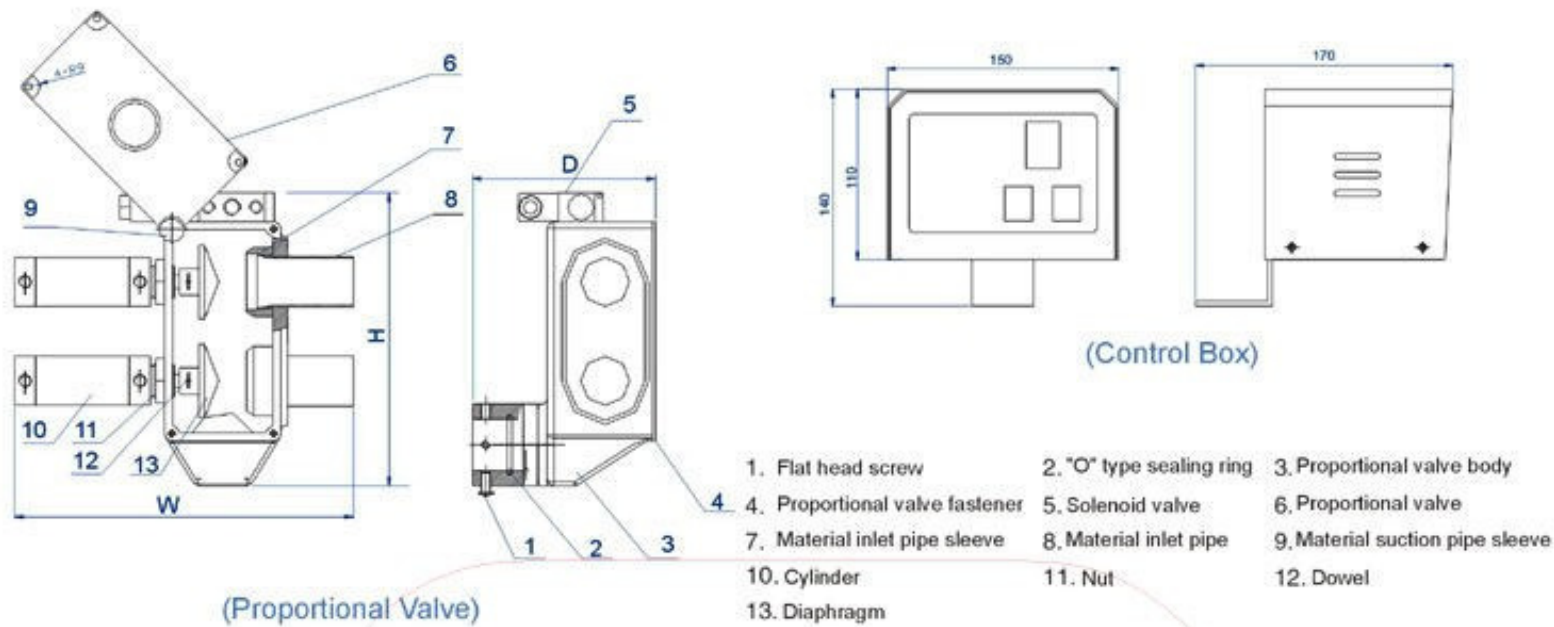


SPV-38U



"Euro" proportional valve and its control box

Outline Drawing



Specifications

| Model | Compressed Air Pressure | Driven Means | Maximum Material Flow | Pipe Size | Dimensions (mm) W×D×H | Weight (kg) |
|-------------|-------------------------|--------------|-----------------------|-----------|-----------------------|-------------|
| SPV-38U-(C) | ≥3kg/cm ² | Cylinders | 350 kg/hr | 38 mm | 260 × 150 × 230 | 3.5 |
| SPV-50U-(C) | ≥3kg/cm ² | Cylinders | 550 kg/hr | 50.8 mm | 260 × 150 × 230 | 5 |

Note: 1) There is no need of control box when working with SAL-U loaders.
 2) "C" stands for control box.
 3) Power supply: 1ϕ, 115/230V, 50/60Hz.

We reserve the right to change specifications without prior notice.

Installation

